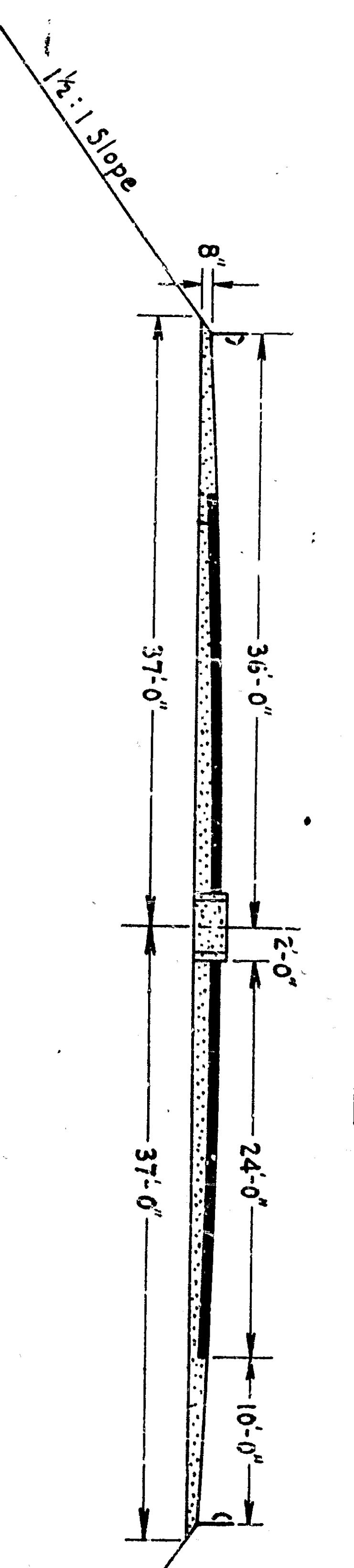
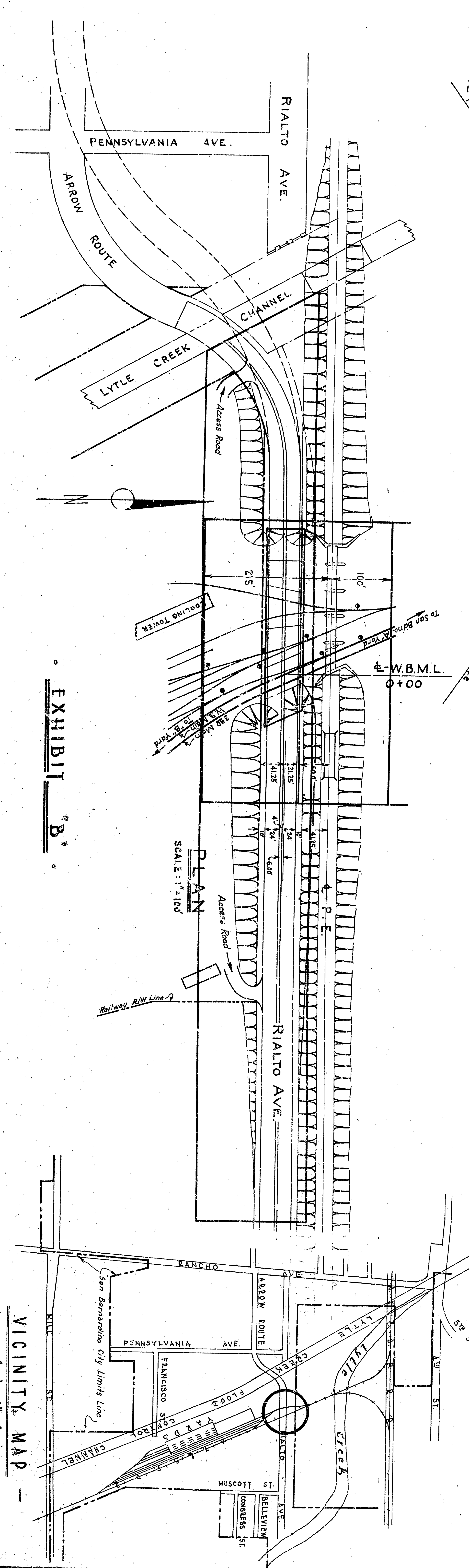
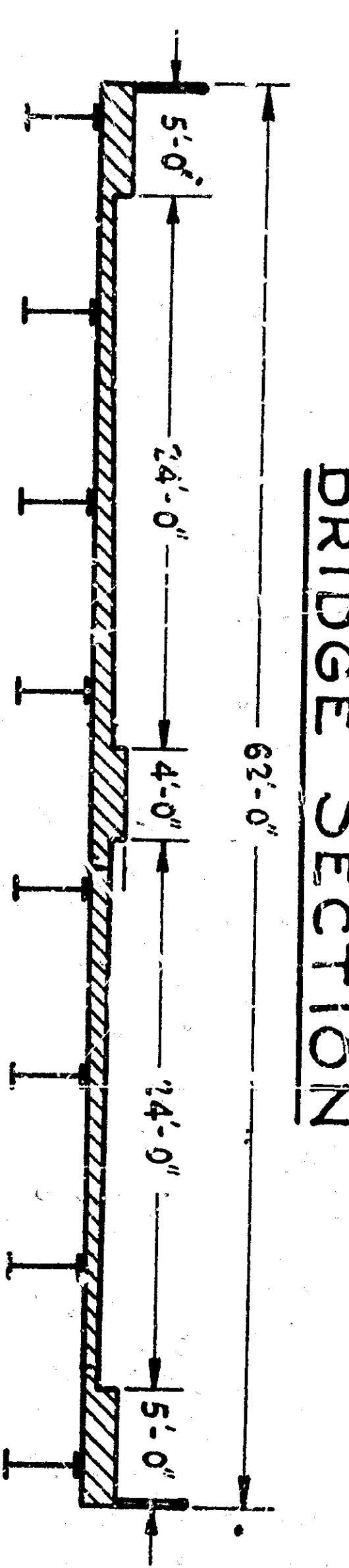


**ROADWAY PROFILE**  
 Speed 40 MPH  
 Sight Distance 275 FT  
 Max Grade 8.63 %  
 " = 10' VERTICAL  
 " = 100' HORIZONTAL

**ROADWAY SECTION**

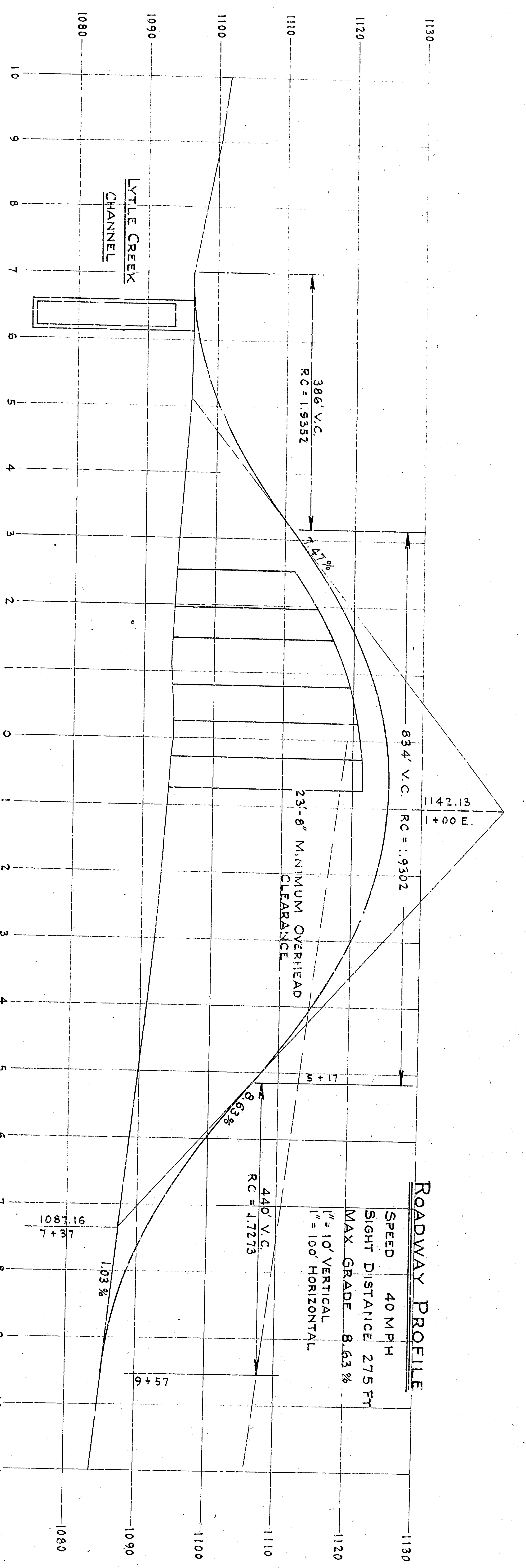


**BRIDGE SECTION**



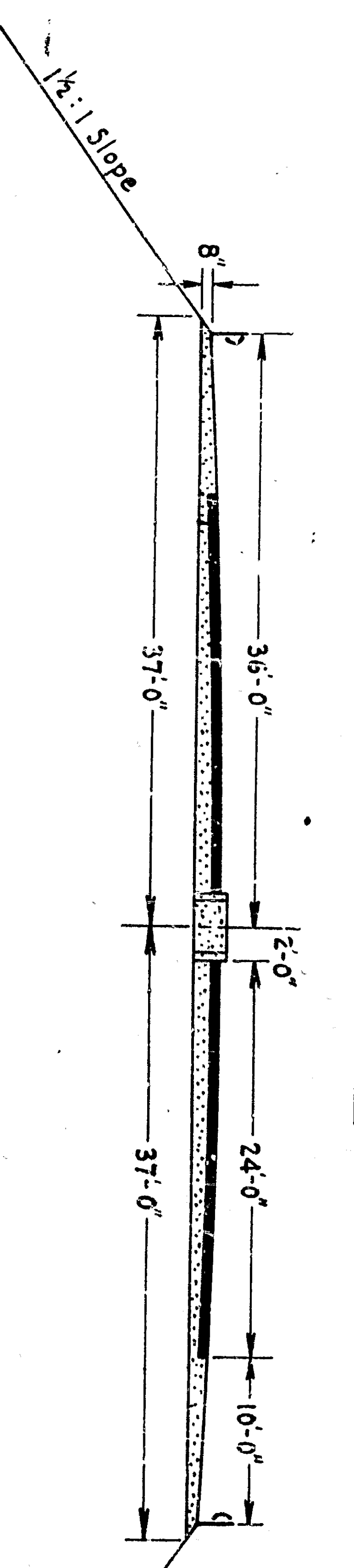
**EXHIBIT 'B'**

**VICINITY MAP**  
 Scale 1" = 800'

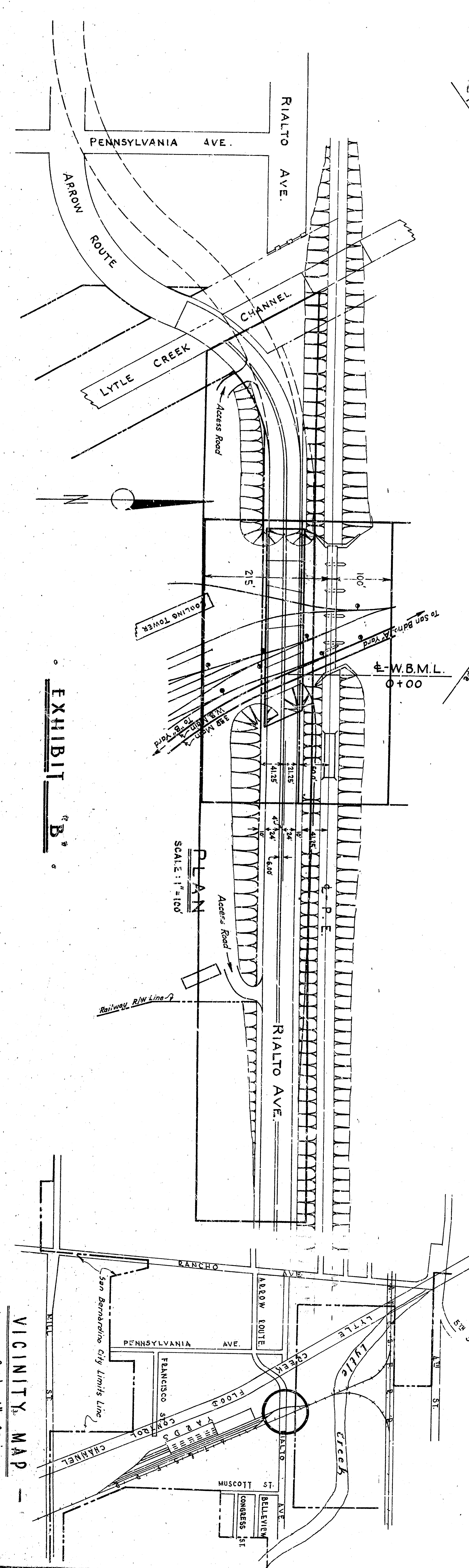
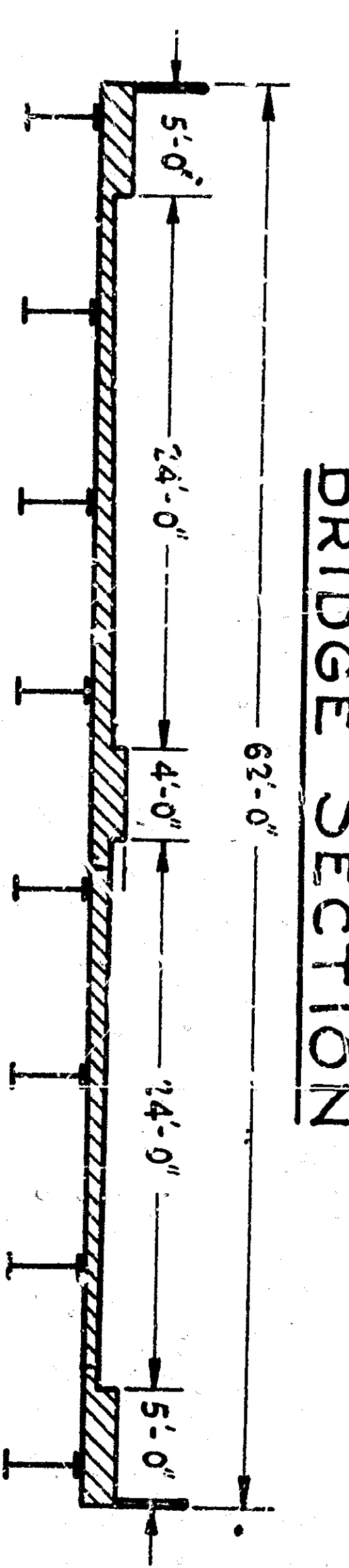


**ROADWAY PROFILE**  
 Speed 40 MPH  
 Sight Distance 275 FT  
 Max Grade 8.63%  
 " = 10' VERTICAL  
 " = 100' HORIZONTAL

**ROADWAY SECTION**

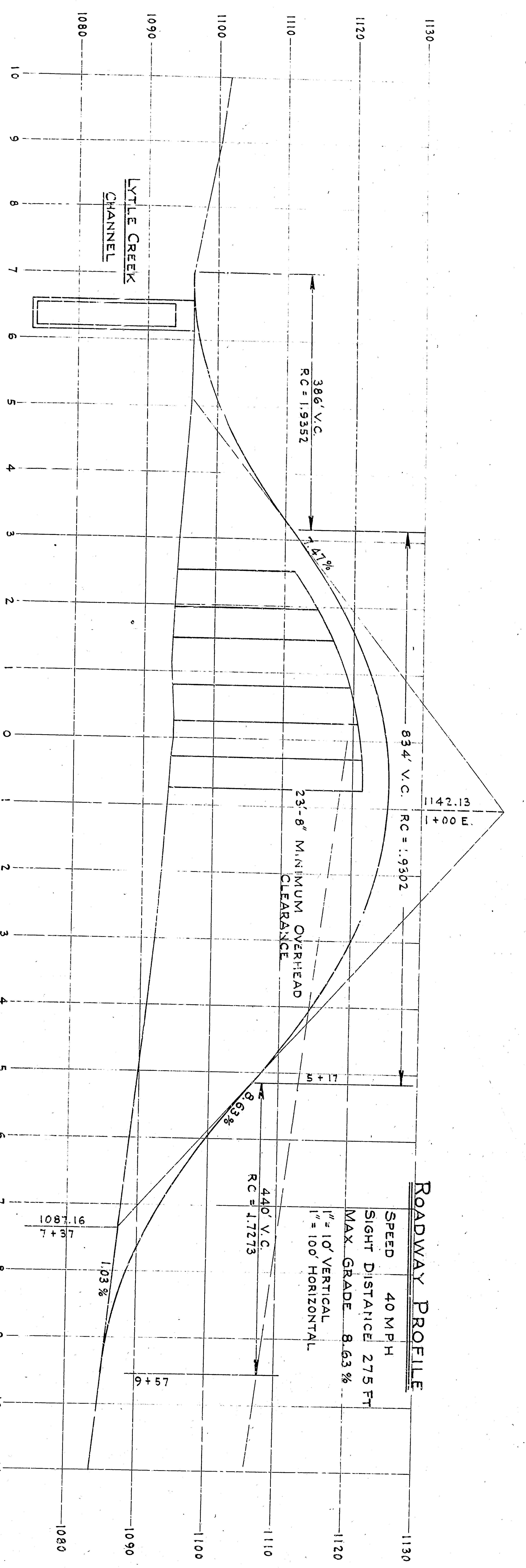


**BRIDGE SECTION**



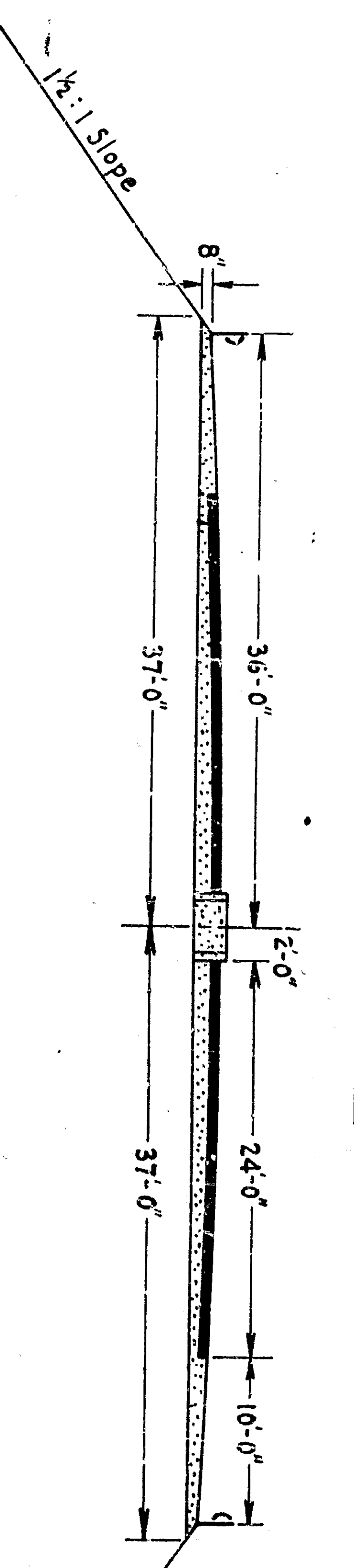
**EXHIBIT 'B'**

**VICINITY MAP**  
 Scale 1" = 800'

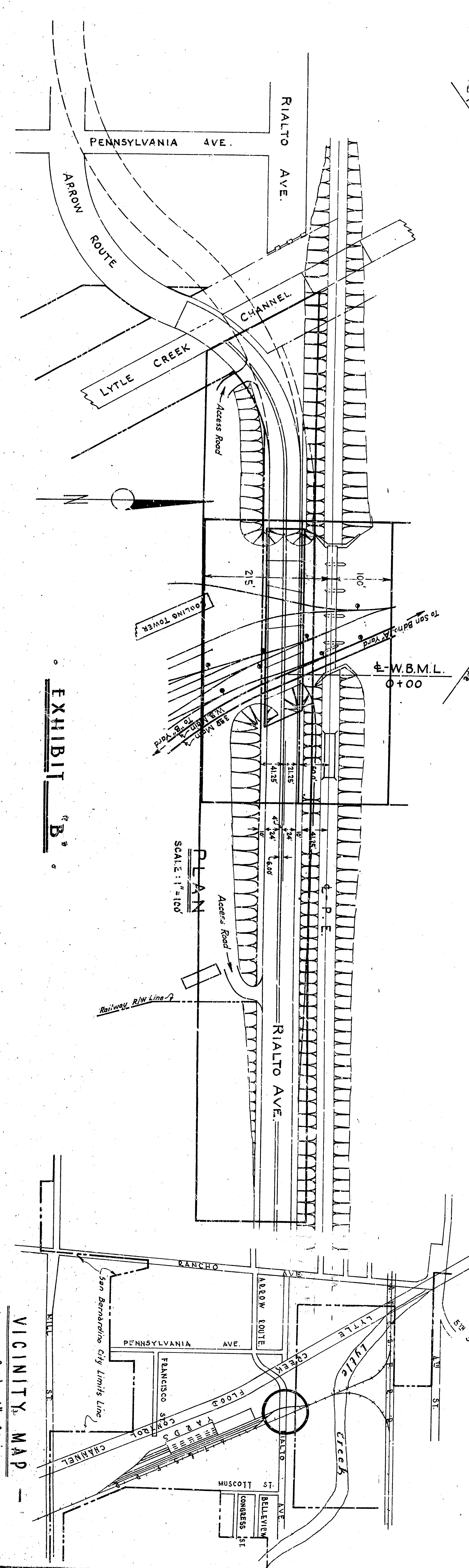
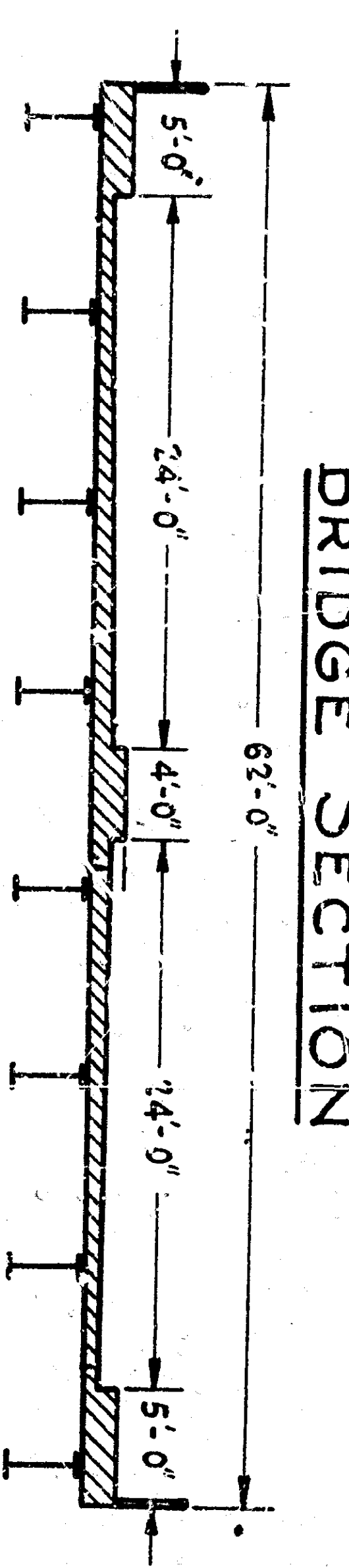


**ROADWAY PROFILE**  
 Speed 40 MPH  
 Sight Distance 275 FT  
 Max Grade 8.63 %  
 " = 10' VERTICAL  
 " = 100' HORIZONTAL

**ROADWAY SECTION**



**BRIDGE SECTION**



**EXHIBIT 'B'**

**VICINITY MAP**  
 Scale 1" = 800'